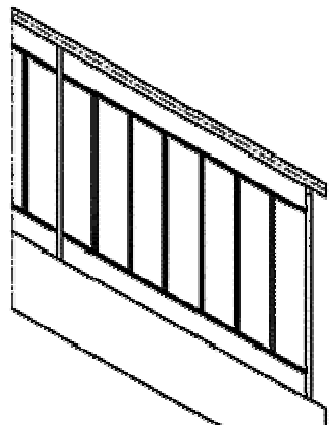
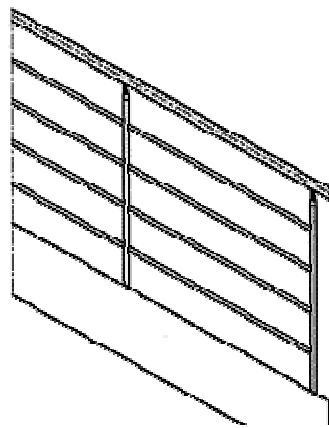


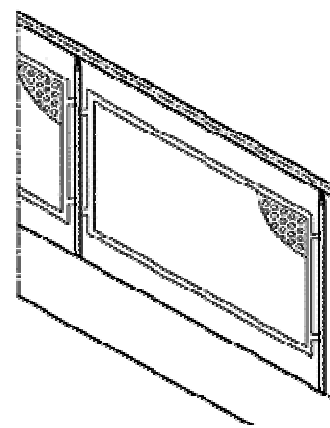
Standard 10mm  $\varnothing$  spindles with lower rail



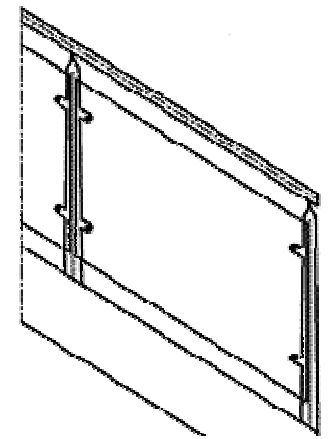
Standard 10mm  $\varnothing$  spindles with upper and lower rail



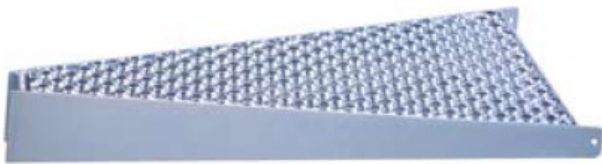
Horizontal bars – 14mm  $\varnothing$  (2-8 no.)



Mesh Infill panels



Glass / Acrylic Infill panels



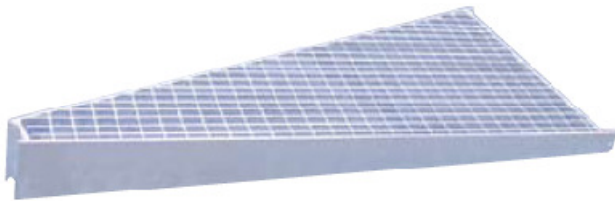
Non Slip Perforated Steel



Tear Plate / Chequer plate



Flat Steel Plate (to take infill)



Mesh Grating



Timber



Beech



Oak



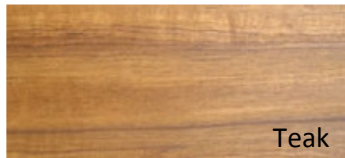
Ash



Pine



Cherry



Teak



Mahogany



Walnut



Steelwork powder coated to any RAL colour or fully galvanised or factory primed for on-site painting