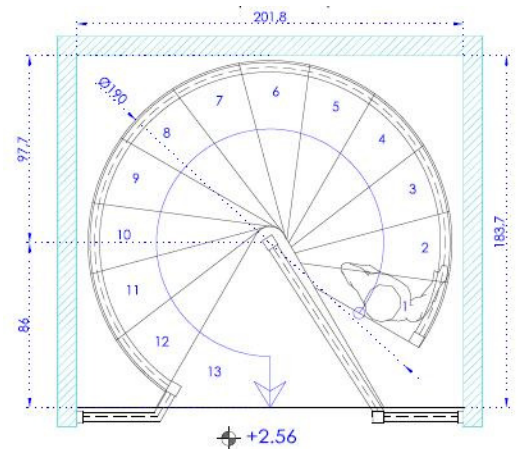


## CASE STUDY – Model 71 – Taunton, Somerset

For a conversion of an old malthouse in Taunton, the developer required 8 stylish, yet space saving, staircases for the property. The Model 71 Spiral, a fully bespoke stair, met both these criteria and fitted perfectly into the modern look of the development. Each spiral was constructed of oak for a colouring, and with stainless steel spindles to really press home the modern design. Open risers kept the stair from dominating the rooms by allowing the passage of light. Small stainless steel riser bars were included to keep the gap exceeding 100mm.



### TECHNICAL SPECIFICATION

Model	:	71 spiral
Diameter	:	1800mm
Centre column	:	Stainless steel barrels
Treads	:	40mm Oak
Handrail	:	50mm diameter oak
Spindles	:	20mm diameter stainless steel
Finish of timber	:	Oiled
Finish of steel	:	Stainless steel
Riser bars	:	10mm diameter riser bars
Landing balustrade	:	1000mm included for each spiral

