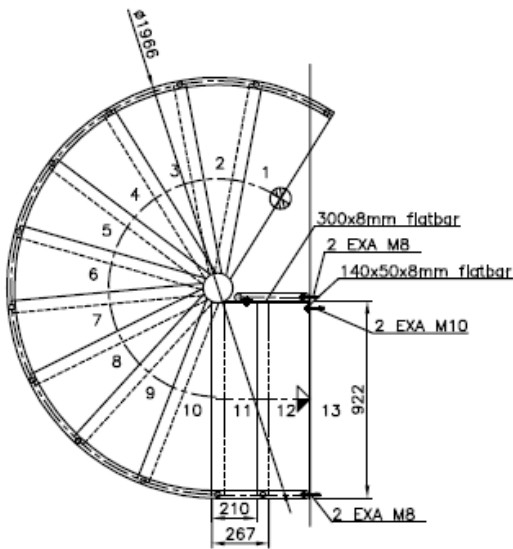


CASE STUDY - Bespoke Spiral Staircase – Ayrshire

Our client was converting a property and required access to a single upstairs room using a spiral staircase. The situation was a little unique as there was a timber beam in place high above the stairwell which would have caused headroom issues if a standard spiral platform was used. Therefore we selected one of bespoke spirals which was constructed without a top platform but with two straight treads towards the top. The treads were in beech and the balustrade and diameter we suitable as a main domestic staircase.

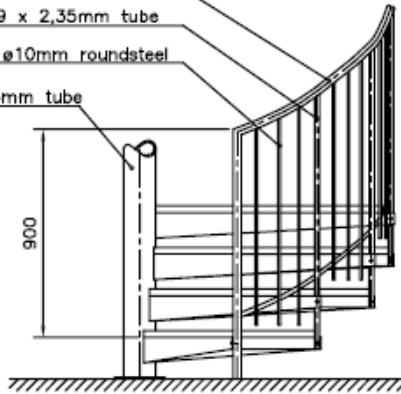


Handrail: $\varnothing 33,7 \times 3,25$ mm tube

Posts: $\varnothing 26,9 \times 2,35$ mm tube

Intermediarte: $\varnothing 10$ mm roundsteel

Column: $\varnothing 139,7 \times 4$ mm tube



TECHNICAL SPECIFICATION

FLOOR TO FLOOR HEIGHT	-	2695mm
RISERS	-	13 @ 207.3mm
CLEAR TREAD WIDTH	-	875mm
TREADS	-	30mm Oiled Beech
HANDRAIL	-	33.7mm Steel
BALUSTRADE INFILL	-	10mm Steel Spindles
FINISH OF STEEL	-	Powder coated black

